



URKUNDE

Europäisches Patent

Es wird hiermit bescheinigt, dass für die in der Patentschrift beschriebene Erfindung ein europäisches Patent für die in der Patentschrift bezeichneten Vertragstaaten erteilt worden ist.

Europäisches Patent Nr.
European patent No.
Brevet européen n°

Patentinhaber
Proprietor(s) of the patent
Titulaire(s) du brevet

München, den
Munich,
Munich, le

16.01.19

CERTIFICATE

European patent

It is hereby certified that a European patent has been granted in respect of the invention described in the patent specification for the Contracting States designated in the specification.

3069094

Stellenbosch University
Admin B
Victoria Street
Stellenbosch
7600 Western Cape Province/ZA

CERTIFICAT

Brevet européen

Il est certifié qu'un brevet européen a été délivré pour l'invention décrite dans le fascicule de brevet, pour les Etats contractants désignés dans le fascicule de brevet.

António Campinos

Präsident des Europäischen Patentamts
President of the European Patent Office
Président de l'Office européen des brevets



(11) **EP 3 069 094 B1**

(12) **EUROPEAN PATENT SPECIFICATION**

(45) Date of publication and mention of the grant of the patent:
16.01.2019 Bulletin 2019/03

(21) Application number: **14806089.0**

(22) Date of filing: **11.11.2014**

(51) Int Cl.:
F28F 25/04 (2006.01)

(86) International application number:
PCT/IB2014/065949

(87) International publication number:
WO 2015/071822 (21.05.2015 Gazette 2015/20)

(54) **WATER COLLECTION TROUGH ASSEMBLY**
WASSERSAMMLUNGSDURCHLAUFANORDNUNG
ENSEMBLE AUGET DE COLLECTE D'EAU

(84) Designated Contracting States:
AL AT BE BG CH CY CZ DE DK EE ES FI FR GB GR HR HU IE IS IT LI LT LU LV MC MK MT NL NO PL PT RO RS SE SI SK SM TR

(30) Priority: **12.11.2013 ZA 201308443**

(43) Date of publication of application:
21.09.2016 Bulletin 2016/38

(73) Proprietor: **Stellenbosch University**
7600 Western Cape Province (ZA)

(72) Inventors:
• **REUTER, Hanno Carl Rudolf**
7600 Stellenbosch
Western Cape Province (ZA)
• **KRÖGER, Detlev G.**
deceased (ZA)

(74) Representative: **Gill Jennings & Every LLP**
The Broadgate Tower
20 Primrose Street
London EC2A 2ES (GB)

(56) References cited:
DE-A1- 2 250 776 **GB-A- 734 185**
US-A1- 2012 111 762

EP 3 069 094 B1

Note: Within nine months of the publication of the mention of the grant of the European patent in the European Patent Bulletin, any person may give notice to the European Patent Office of opposition to that patent, in accordance with the Implementing Regulations. Notice of opposition shall not be deemed to have been filed until the opposition fee has been paid. (Art. 99(1) European Patent Convention).

Description

FIELD OF THE INVENTION

[0001] This invention relates to a water collection trough assembly for use in air-cooled heat exchangers such as cooling towers having fill over which water to be cooled flows and heat exchangers having deluged tube bundles such as those in condensers, dephlegmators and the like over which water flows to transfer heat to or from the tubes. A liquid collection trough according to the preamble of claim 1 is known e.g. from document DE 2250776.

BACKGROUND TO THE INVENTION

[0002] Water collection trough assemblies are used in the heat exchanger industry in counter flow cooling towers to collect and remove water falling from the bottom of a cooling tower fill or from a heat exchanger tube bundle. Forced draught cooling towers require water collection trough assemblies in order to collect water falling from the fill of the cooling tower or other water cooling facility to enable the water to be recycled or disposed of in an effective way.

[0003] Collecting troughs are used in forced draught cooling towers; in cooling towers where the rain zone is eliminated to reduce pumping power; in counter-flow cooling tower fill test facilities; and in deluged evaporative heat exchangers, to collect and remove water dripping from the base of the cooling tower fills or heat exchanger tube bundles while allowing it to pass vertically through them.

[0004] Effective recovery of the water also reduces damage to, and maintenance of, fans and drives which create air flow through a heat exchange facility.

[0005] Inefficient recovery of water can also result in increased power consumption and water spillage, which has a negative environmental impact due to the contaminants in the water.

[0006] Numerous different water collection assemblies have been developed some of which have fairly complicated geometries. Some of them unduly increase the pressure drop of air flowing upwards and thereby increase power consumed by one or more fans inducing the flow of air.

[0007] Some water collection assemblies have multiple parallel troughs extending in one direction beneath the fill of a cooling tower or tube bundle with an upwardly inclined capture plate having its lower edge arranged to feed water falling onto the capture plate into an associated trough. The troughs and capture plates are arranged to extend over substantially the entire area beneath the fill or tube bundle, as the case may be, so that all water that drips from the fill or tube bundle falls onto a capture plate or directly into a trough. US patent number 4,521,350 describes such an arrangement.

[0008] The difficulty with this arrangement is that water

drops falling on the capture plate tend to splash and at least a part of the resultant spray can find its way between the troughs thereby failing to be caught by the trough and capture plate assembly. This has led, in at least some instances, to a second layer of collection troughs and capture plates being located beneath a first one.

[0009] Published US patent application US20120111762 describes an arrangement of parallel troughs forming a water collection assembly wherein a passage through the layer of troughs and capture plates is rather restricted in view of the shaping of the capture plates as they are operatively upper edges and, in general, their close relationship to each other that imposes a resistance to upward flow of the upwardly flowing gases.

[0010] Measurements done on an existing collection trough assembly comprising two layers of troughs installed in a cooling tower fill test facility have shown that about 10 % of the water passes through the first layer of troughs.

[0011] In dephlegmators of the type used in steam condensation installations operated in a wet, evaporatively cooled mode, collection trough assemblies may be provided beneath tube bundles in order to collect run-off water and enable recycling of excess deluge water.

[0012] There is a need for a water collection trough assembly that alleviates some of the problems mentioned above, at least to some extent.

SUMMARY OF THE INVENTION

[0013] In accordance with this invention there is provided a liquid collection trough assembly comprising a plurality of elongate troughs and associated inclined capture plates wherein each capture plate is arranged to receive liquid contacting same on a front face thereof and direct the liquid into an associated elongate trough, wherein each capture plate has a generally upright deflection plate extending downwards from an upper region thereof on its rear face so as to be capable of receiving liquid droplets contacting it and directing such liquid into or onto an adjacent trough or capture plate, in use, and wherein a top edge region of each capture plate and any superimposed deflection plate is vertical or inwardly curved towards the face of the capture plate in a manner tending to redirect air passing in an inclined direction between adjacent capture plates to a more vertically extending direction.

[0014] Further features of the invention provide for the troughs and associated inclined capture plates to be spaced apart such that the upper edge of each of the capture plates is located over a lower edge region of an adjacent capture plate to define inclined flow paths for air between the capture plates; for a capture plate to be formed as an upward extension of one wall of the trough, in each case; for the deflection plate to be attached along a top edge of an associated inclined capture plate.

[0015] Yet further features of the invention provide for

the water collection troughs to be arranged all in the same horizontal plane. Alternatively, the water collection troughs may be at regularly staggered vertical positions in a plurality of vertically spaced horizontal planes. In the latter instance, available area for flow of air is increased between adjacent troughs.

[0016] Each elongate trough may be open at either or each end to allow for drainage of liquid collected therein, typically into manifolds or other collection ducts. Alternatively, a trough may have at least one drainage outlet along its length.

[0017] The invention also provides, in combination, a water collection trough assembly as defined above installed beneath a fill or tube bundle of a cooling tower or condenser or dephlegmator.

[0018] In order that the invention may be more fully understood, different embodiments thereof will now be described with reference to the accompanying drawings.

BRIEF DESCRIPTION OF THE DRAWINGS

[0019] In the drawings:-

Figure 1 is a schematic diagram showing the circuit of a cooling tower embodying a water collection trough assembly according to the invention;

Figure 2 is a schematic diagram showing a heat exchanger tube bundle having associated therewith a water collection trough assembly according to the invention;

Figure 3 is a plan view of a part of a water collection trough assembly of the type included in the cooling tower or heat exchanger tube bundle arrangements illustrated in either Figure 1 or 2;

Figure 4 is an end view of a plurality of water collection troughs according to the invention in which the troughs are arranged in a single horizontal plane;

Figure 5 is an end view of a plurality of water collection troughs that are arranged in staggered vertical positions in two vertically spaced horizontal planes; and,

Figure 6 is an end view of a plurality of water collection troughs wherein the upper edge regions of the capture plates and deflection plates have inwardly curved upper edges.

DETAILED DESCRIPTION WITH REFERENCE TO THE DRAWINGS

[0020] In the application of the invention illustrated in

Figure 1, a water collection trough assembly, generally indicated by numeral (1), is arranged beneath the fill (2) of a cooling tower that is generally indicated by numeral (3) and can be made of metal, plastic or metal extrusion. The cooling tower includes a water collection sump (4), a circulating pump (5) for supplying recirculated coolant water to a heat generating process generally indicated by numeral (6); and a hot water distribution installation (7) at the top of the fill (2).

[0021] As an alternative, in a different application of the invention that is illustrated in Figure 2, a water collection facility (8) such as a delugable dephlegmator or an air cooled heat exchanger may be installed beneath a tube bundle (9) of a condensation device such as a dephlegmator, generally indicated by numeral (11).

[0022] In either event, the water collection trough assembly comprises a plurality of elongate troughs (12) and associated inclined capture plates (13) wherein each capture plate is arranged to receive liquid contacting same on a front face (14) thereof and to direct the liquid into the associated elongate trough. The capture plate is, in each instance, arranged so that the troughs are spaced apart with the upper edge (15) of each of the capture plates being located over a lower edge region (16) of an adjacent capture plate to define inclined flow paths (17) for air between the capture plates. A capture plate may be formed as an upward extension of one wall of the trough in each case. That aspect of the arrangement is particularly illustrated in Figure 3. Each elongate trough may be open at either or each end (18) to allow for drainage of liquid collected therein, typically into a manifold or other collection duct (19).

[0023] As provided by this invention, a generally upright deflection plate (21) extends downwards from an upper region, in this instance the upper edge (15), of the capture plate on its rear face (22) so as to be capable of receiving liquid droplets contacting it and directing such liquid into the lower region of an adjacent capture plate or even the trough associated with the latter, in use.

[0024] In this instance the upper region (23) of the capture plate is generally vertical and the deflection plate is superimposed over that upper region and extends downwards beyond it to terminate in a bottom edge (24) that is located downwards of the said upper region and spaced rearwards of the rear surface of the inclined portion of the capture plate. It will be seen from Figure 4 that this arrangement causes the gap between the inclined portions of the two adjacent capture plates to be narrowed somewhat and it is important from the point of view of resistance to the upward flow of air that the lower edge of the deflection plate be suitably located. Each design will dictate its own preferred position of the lower edge of the deflection plate.

[0025] It will also be seen from Figure 4 that the bottom edge of the deflection plate is located vertically above the lower region of the adjacent inclined capture plate so that drops forming on the deflection plate can run down and fall onto the lower region of the capture plate or even

directly into the trough with which the latter is associated.

[0026] In the variation of the invention illustrated in Figure 4, the troughs are all arranged at an equal vertical height so that they are coplanar in a horizontal direction.

[0027] Alternatively, as illustrated in Figure 5, the water collection troughs (31) may be located alternately at staggered vertical positions in vertically spaced horizontal planes with the capture plates (32) all being parallel and being of different lengths in the direction in which they extend so that the upper ends (33) are all coplanar in a single horizontal plane. In this instance the available area for flow of air is increased between adjacent troughs.

[0028] As illustrated in Figure 6, the top edge region (35) of the capture plates (36) and any superimposed deflection plates (37) may be inwardly curved towards the front and upwardly directed face of the capture plate in a manner calculated to impart a change of direction to air passing between the capture plates. This change of direction is aimed at redirecting air passing in an inclined direction between adjacent capture plates to flow in a more vertically extending direction.

[0029] In use, water drops falling due under the influence of gravity from the fill of a cooling tower or from a tube bundle of a deluge system impinge on the capture plates and are directed into the associated trough. As there is usually air flow in the opposite direction, to cool the falling liquid, some water may become directed towards the back of the capture plate and impinge on the deflection plate.

[0030] Due to the presence of the deflection plates at the back of the water collection device water impinging on the deflection plates is intercepted and prevented from contacting the back of the inclined capture plate (22). Instead, it runs down the back of the vertical deflection plate and falls into the adjacent trough. The water drops are thus either directed into the trough of another collection trough situated directly behind it, or onto a lower region of its capture plate. This water is thus collected in one or other trough.

Claims

1. A liquid collection trough assembly (1) comprising a plurality of elongate troughs (12, 31) and associated inclined capture plates (13, 32, 36) wherein each capture plate is arranged to receive liquid contacting same on a front face (14) thereof and to direct the liquid into an associated elongate trough, wherein each capture plate has a generally upright deflection plate (21, 37) extending downwards from an upper region thereof on its rear face (22) so as to be capable of receiving liquid droplets contacting it and directing such liquid into or onto an adjacent trough or capture plate, in use, and **characterised in that** a top edge region of each capture plate and any superimposed deflection plate (21, 37) is vertical or inwardly curved (35) towards the face of the capture plate (13, 32,

36) in a manner tending to redirect air passing in an inclined direction between adjacent capture plates to a more vertically extending direction.

2. A liquid collection trough assembly as claimed in claim 1 in which the troughs and associated inclined capture plates are spaced apart such that an upper edge (15, 33) of each of the capture plates is located over a lower edge region of an adjacent capture plate to define inclined flow paths (17) for air between the capture plates.
3. A liquid collection trough assembly as claimed in either one of claims 1 and 2 in which each capture plate is formed as an upward extension of one wall of the trough.
4. A liquid collection trough assembly as claimed in any one of the preceding claims in which the deflection plate is attached along an upper edge of the associated inclined capture plate.
5. A liquid collection trough assembly as claimed in any one of the preceding claims in which the water collection troughs are arranged all in the same horizontal plane.
6. A liquid collection trough assembly as claimed in any one of claims 1 to 4 in which the water collection troughs are arranged at regularly staggered vertical positions in a plurality of vertically spaced horizontal planes.
7. A liquid collection trough assembly as claimed in any one of the preceding claims in which each elongate trough is open at either or each end (18) to allow for drainage of liquid collected therein into manifolds or other collection ducts (19).
8. A liquid collection trough assembly as claimed in any one of the preceding claims in which the collection trough assembly is installed beneath a fill (2) or tube bundle of a cooling tower (3), condenser or dephlegmator.

Patentansprüche

1. Flüssigkeitsammeltroganordnung (1), umfassend eine Vielzahl von länglichen Trögen (12, 31) und zugehörigen schrägen Auffangplatten (13, 32, 36), wobei die Auffangplatten jeweils zum Empfang von Flüssigkeit unter Kontakt mit derselben auf einer Vorderseite (14) und zum Leiten der Flüssigkeit in einen zugehörigen länglichen Trog ausgelegt sind, wobei eine jede Auffangplatte eine im allgemeinen senkrechte Ablenkplatte (21, 37) aufweist, die sich auf ihrer Rückseite (22) von einem oberen Bereich

- aus nach unten erstreckt und daher sie kontaktierende Flüssigkeitströpfchen aufnehmen und die Flüssigkeit im Betrieb in oder auf einen benachbarten Trog bzw. eine benachbarte Auffangplatte leiten kann, **dadurch gekennzeichnet, dass** ein oberer Randbereich einer jeden Auffangplatte und einer etwa überlagerten Ablenkplatte (21, 37) senkrecht oder nach innen in Richtung der Stirnfläche der Auffangplatte (13, 32, 36) derartig gebogen ist (35), dass in einer Schrägrichtung zwischen benachbarten Auffangplatten strömende Luft in eine senkrechter ausgerichtete Richtung umgelenkt wird.
2. Flüssigkeitsammeltroganordnung nach Anspruch 1, in der die Tröge und die zugehörigen geneigten Auffangplatten so voneinander beabstandet sind, dass ein oberer Rand (15, 33) einer jeden Auffangplatte über einem unteren Randbereich einer benachbarten Auffangplatte liegt, um schräge Strömungswege (17) für Luft zwischen den Auffangplatten zu definieren.
 3. Flüssigkeitsammeltroganordnung nach Anspruch 1 oder 2, in der eine jede Auffangplatte als eine obere Verlängerung einer Wand des Troges ausgebildet ist.
 4. Flüssigkeitsammeltroganordnung nach einem der vorhergehenden Ansprüche, in der die Ablenkplatte an einem oberen Rand der zugehörigen schrägen Auffangplatte befestigt ist.
 5. Flüssigkeitsammeltroganordnung nach einem der vorhergehenden Ansprüche, in der alle Wassersammeltröge in der selben waagerechten Ebene angeordnet sind.
 6. Flüssigkeitsammeltroganordnung nach einem der Ansprüche 1 bis 4, in der die Wassersammeltröge in regelmäßig gestaffelten Höhenpositionen in einer Vielzahl von vertikal beabstandeten Horizontalebene angeordnet sind.
 7. Flüssigkeitsammeltroganordnung nach einem der vorhergehenden Ansprüche, in der jeder längliche Trog an einem Ende oder an beiden Enden (18) zum Abfließen der darin gesammelten Flüssigkeit in Sammelrohre oder sonstige Sammelkanäle (19) offen ist.
 8. Flüssigkeitsammeltroganordnung nach einem der vorhergehenden Ansprüche, in der die Sammeltroganordnung unter einem Füller (2) oder einem Rohrbündel eines Kühlturms (3) eines Kondensators oder eines Deplegmators eingebaut ist.

Revendications

1. Cuve de collecte de liquide (1) comprenant une pluralité de cuves allongées (12, 31) et plaques de captage inclinées connexes (13, 32, 36), chaque plaque de captage étant agencée pour recevoir un liquide la contactant sur une face antérieure (14) de celle-ci, et diriger le liquide dans une cuve allongée connexe, chaque plaque de captage possédant une plaque déflectrice de forme globalement verticale (21, 37) s'étendant vers le bas d'une zone supérieure de celle-ci sur sa face postérieure (22) afin d'être en mesure de recevoir des gouttelettes de liquide la contactant, et de diriger ce liquide dans ou sur une cuve ou plaque de captage adjacente utilisée, et **caractérisée en ce que** une zone latérale supérieure de chaque plaque de captage, et toute plaque déflectrice (21, 37) superposée étant verticale ou recourbée vers l'intérieur (35) en direction de la face de la plaque de captage (13, 32, 36) de façon qu'elle ait tendance à rediriger l'air passant dans une direction inclinée entre des plaques de captage adjacentes, dans une direction s'étendant de façon plus verticale.
2. Cuve de collecte de liquide selon la revendication 1, dans laquelle les cuves et les plaques de captage inclinées connexes sont espacées de sorte qu'un bord supérieur (15, 33) de chacune des plaques de captage est situé sur une zone à bord inférieur d'une plaque de captage adjacente pour définir des chemins d'écoulement inclinés (17) pour l'air entre les plaques de captage.
3. Cuve de collecte de liquide selon une des revendications 1 ou 2, dans laquelle chaque plaque de captage est formée comme une extension vers le haut d'une paroi de la cuve.
4. Cuve de collecte de liquide selon une quelconque des revendications précédentes, dans laquelle la plaque déflectrice est fixée le long d'un bord supérieur de la plaque de captage inclinée connexe.
5. Cuve de collecte de liquide selon une quelconque des revendications précédentes, dans laquelle les cuves de collecte d'eau sont toutes agencées dans le même plan horizontal.
6. Cuve de collecte de liquide selon une quelconque des revendications 1 à 4, dans laquelle les cuves de collecte d'eau sont agencées dans des positions verticales en quinconce avec un espacement régulier dans une pluralité de plans horizontaux à espacement vertical.
7. Cuve de collecte de liquide selon une quelconque des revendications précédentes, dans laquelle cha-

que cuve allongée est ouverte à un ou chacun des bouts (18) afin de permettre le drainage du liquide recueilli dans celles-ci dans des collecteurs ou autres conduits de collecte (19).

5

8. Cuve de collecte de liquide selon une quelconque des revendications précédentes, la cuve de collecte étant installée sous un dispositif de remplissage (2) ou un faisceau tubulaire d'une tour de refroidissement (3), d'un condenseur ou d'un déflegmateur.

10

15

20

25

30

35

40

45

50

55

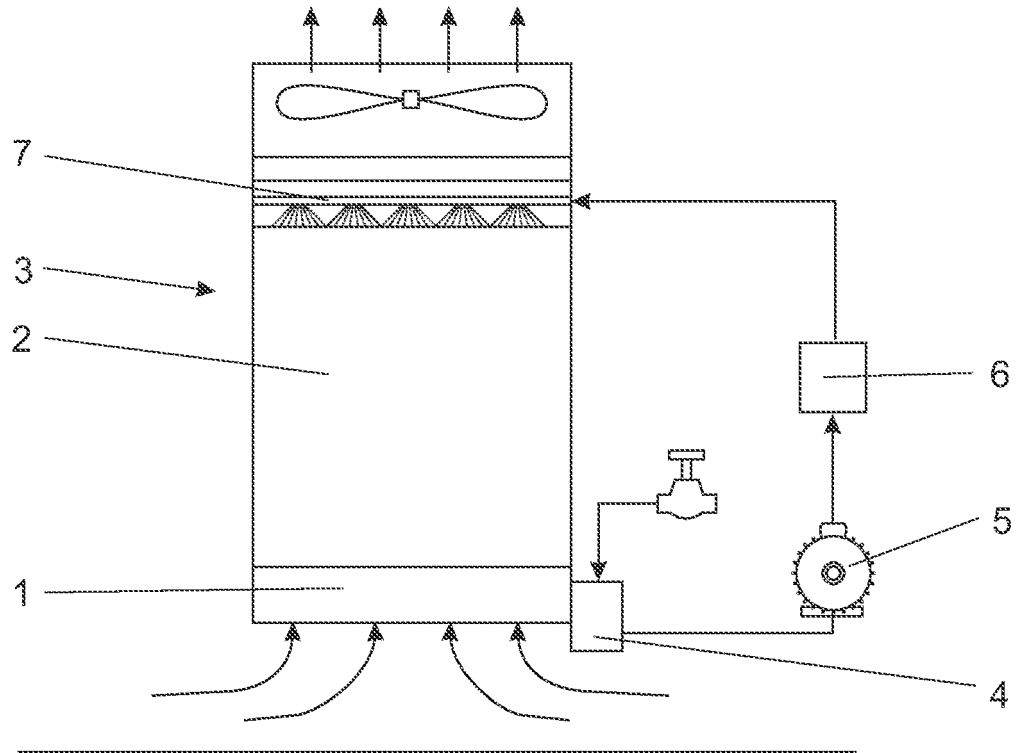


Figure 1

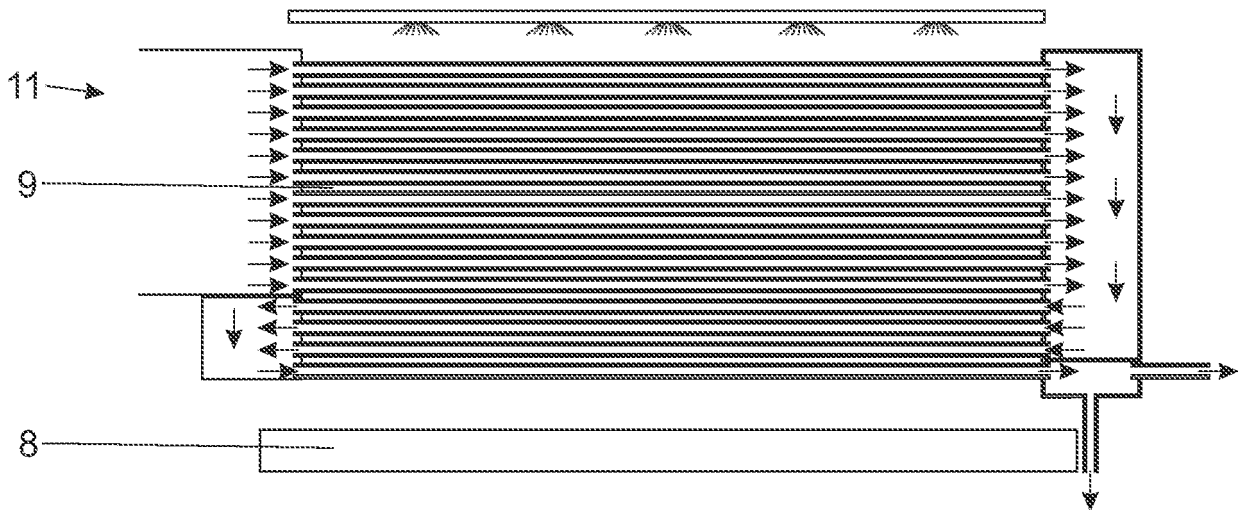


Figure 2

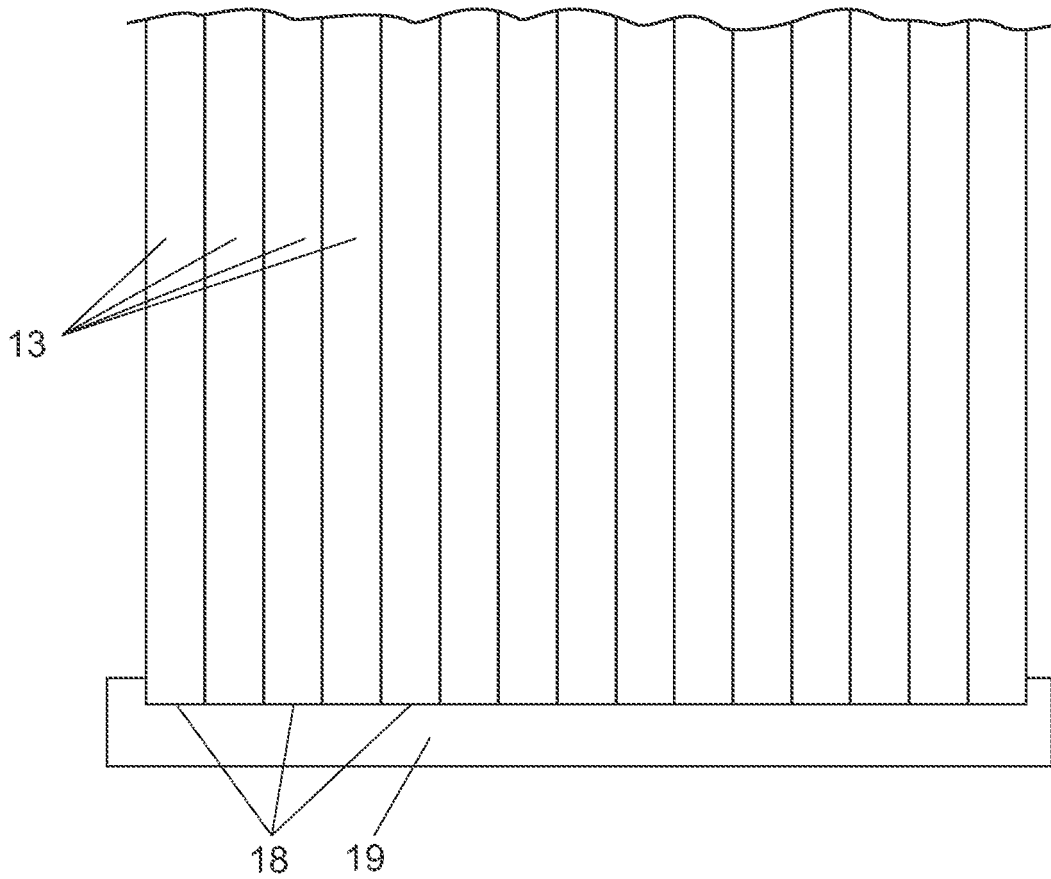


Figure 3

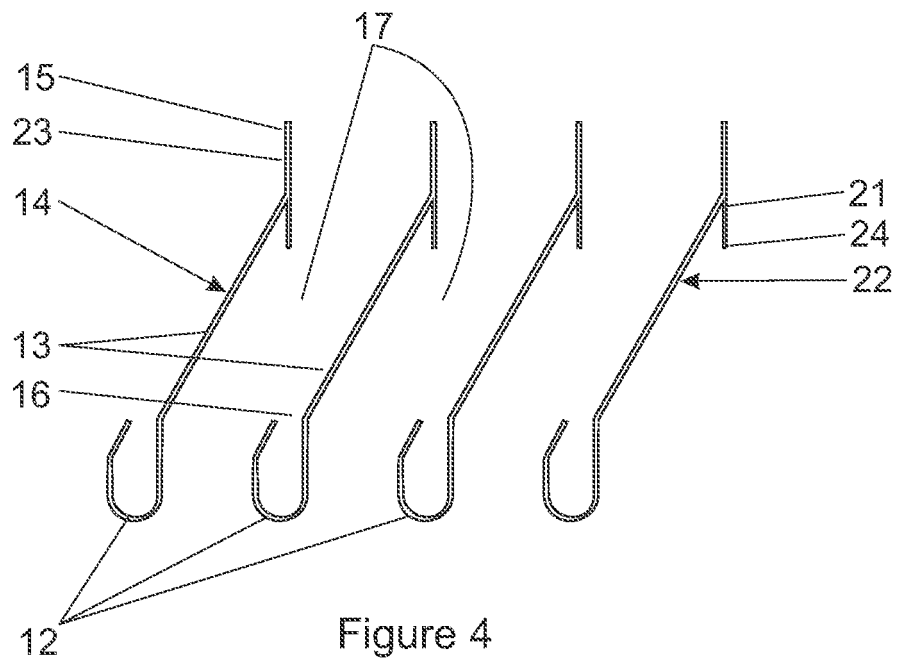


Figure 4

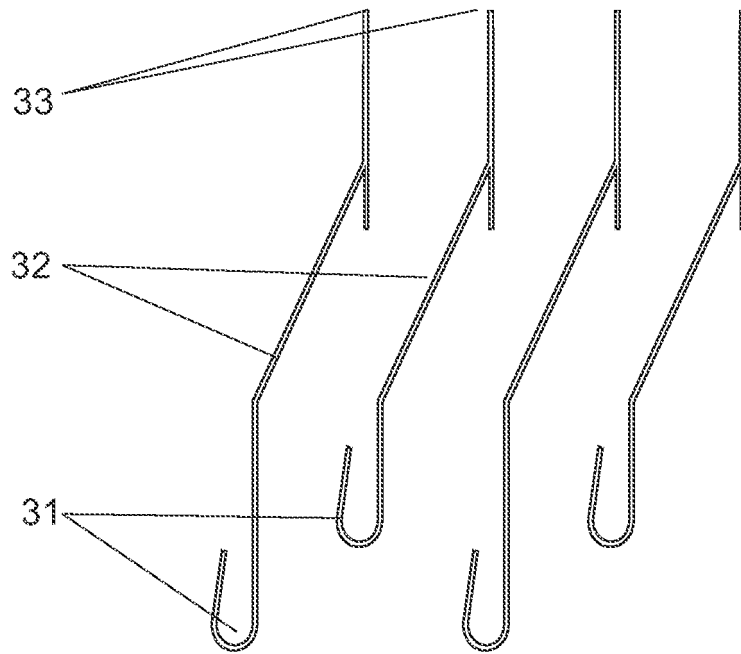


Figure 5

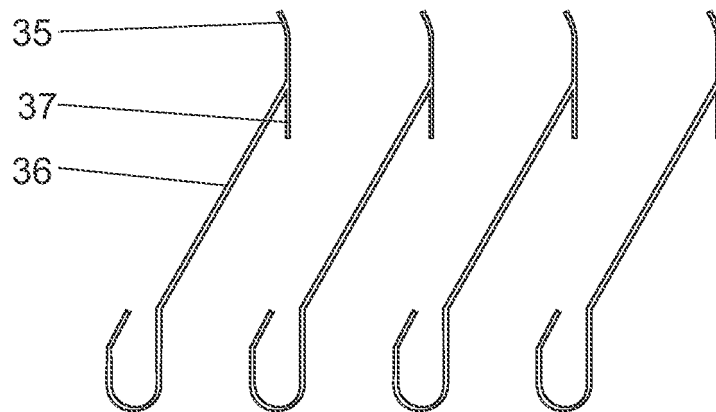


Figure 6

REFERENCES CITED IN THE DESCRIPTION

This list of references cited by the applicant is for the reader's convenience only. It does not form part of the European patent document. Even though great care has been taken in compiling the references, errors or omissions cannot be excluded and the EPO disclaims all liability in this regard.

Patent documents cited in the description

- DE 2250776 [0001]
- US 4521350 A [0007]
- US 20120111762 A [0009]